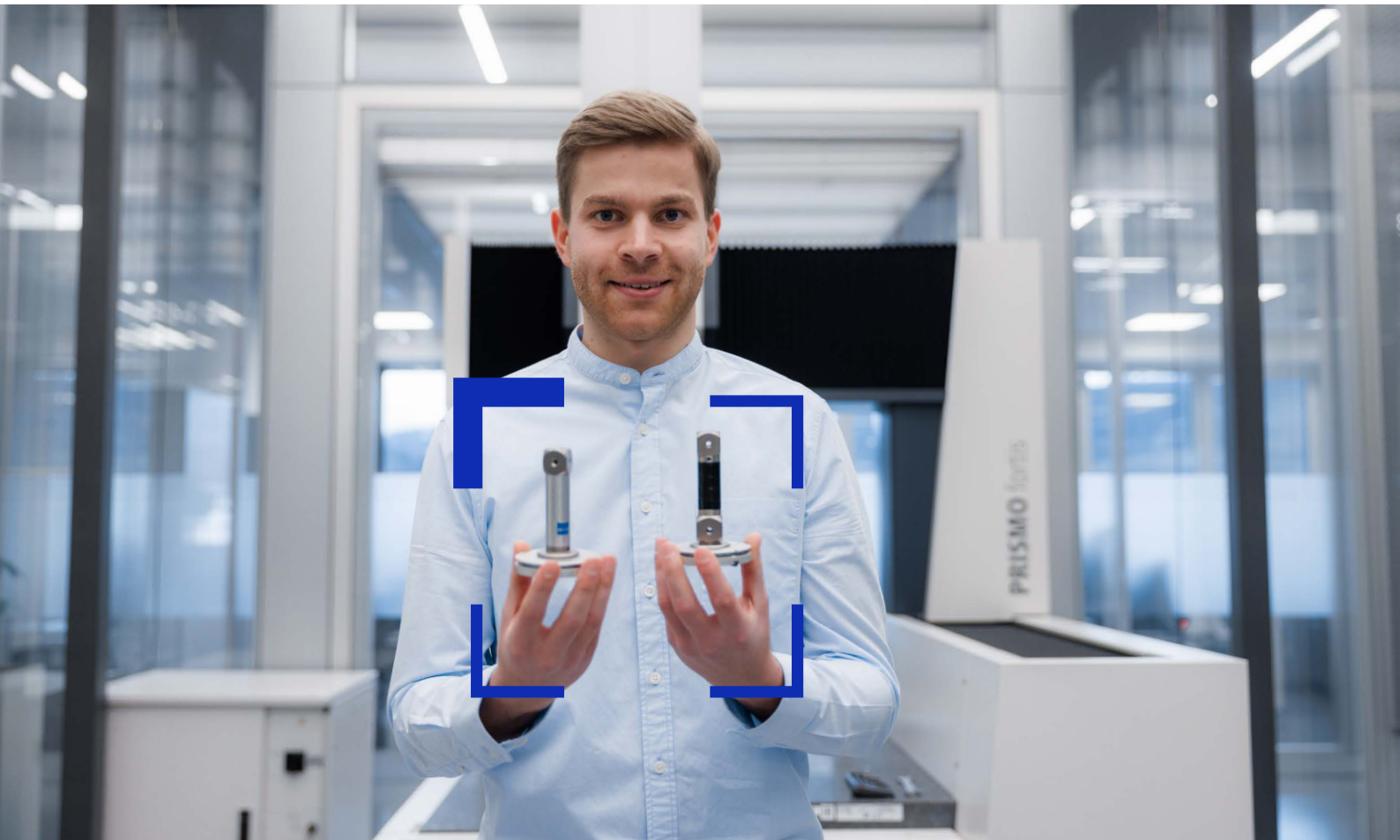




Seeing beyond

ZEISS Metrology Expert Tip



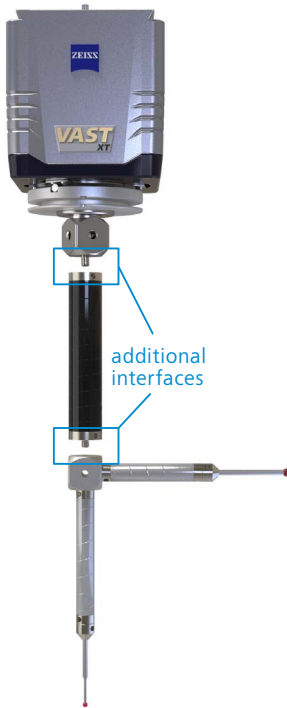
**ZEISS Adapter Plate
with Integrated Extension**

probes.zeiss.com

ZEISS Adapter Plate with Integrated Extension

The central interface between the CMM and the workpiece is the adapter plate, as it connects the probe system to the measuring head. The plate also transmits the deflection of the probe to the measuring head. The better and more stable the stiffness of the probe system, the fewer losses there are in this transmission. This means that the achievable measurement results are more reliable. Since every threaded connection means a loss of stiffness, minimizing the use of individual components and instead utilizing combined elements such as plate extensions is recommended. The cube and extensions can be adapted as one part directly on the adapter plate.

Difference between ZEISS Adapter Plates with Cube and Integrated Extension



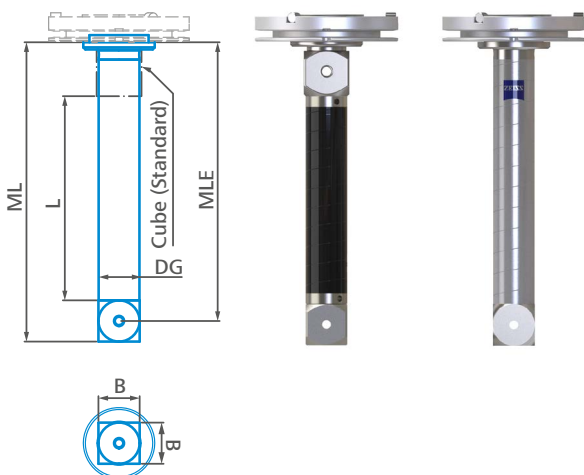
Standard adapter plate with separate extension

The standard adapter plate is equipped with a cube to which the extension is screwed on to, as illustrated in the image by the blue frames. However, this additional interface between the cube and the extension reduces the stiffness of the stylus system.



Adapter plate with integrated extension

This combination can be replaced by an adapter plate with integrated extension. Here, the extension and the adapter plate are made of one piece, as can be seen in the image. This achieves a significantly higher overall stiffness of the stylus system.



The plate extensions have been designed to have the same dimensions as a plate cube with the extension screwed on. In this way, you can easily optimise your existing system with a plate extension without much effort and thus increase the overall stiffness in your system.

**ZEISS Original Accessories
are available in the ZEISS
Metrology Shop.**

Carl Zeiss
Industrielle Messtechnik GmbH
Carl Zeiss Straße 22
73446 Oberkochen/Germany
Email: accessories.metrology.de@zeiss.com
Internet: probes.zeiss.com

